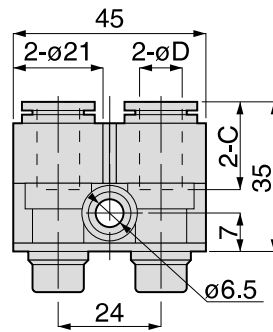


■ 107 series (Middle and end outlet port / movable type)

**MA107** Inlet port

RoHS compliant

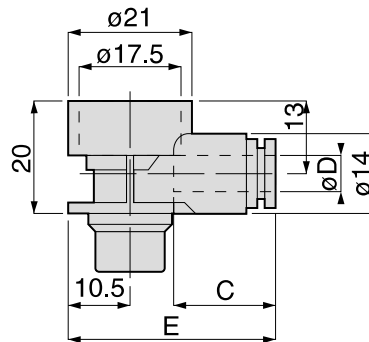


Unit : mm

Model code	Tube O.D. $\phi D$	Tube end C	Weight (g)	Orifice dia.	CAD file name
MA107-10A	10	20	20	9	MA107-10A
MA107-12A	12	23.5	23.5	9	MA107-12A

**MA107** Middle outlet port

RoHS compliant



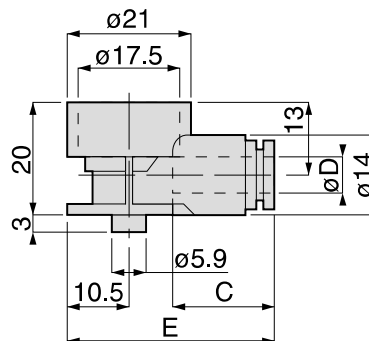
Unit : mm

Model code	Tube O.D. $\phi D$	Tube end C	E	Weight (g)	Orifice dia.	CAD file name
MA107-06B-□	6	17	35	10.5	4.6	MA107-06B-□
MA107-08B-□	8	18	34.5	12	6	MA107-08B-□

※ □ in Model code/ Replaced with "B" for release ring color Black & Black, "R" for Red & Red, No code for Black & Red (2ports per set.)

**MA107** End outlet port

RoHS compliant



Unit : mm

Model code	Tube O.D. $\phi D$	Tube end C	E	Weight (g)	Orifice dia.	CAD file name
MA107-06C-□	6	17	35	10.5	4.6	MA107-06C-□
MA107-08C-□	8	18	34.5	11	6	MA107-08C-□

※ □ in Model code/ Replaced with "B" for release ring color Black & Black, "R" for Red & Red, No code for Black & Red (2ports per set.)